



TOYOTA

ALWAYS BETTER.



TOYOTA

ALWAYS BETTER.



VELLFIRE

FIRST CLASS TRAVEL



ALPHARD

FIRST CLASS TRAVEL



Borneo Motors

TOYOTA WORLD
toyota.com.sg

33 Leng Kee Rd, Singapore 159102 | 17 Ubi Rd 4, Singapore 408611 | T 6631 1188
Monday - Friday: 9.00am - 6.00pm, Saturday: 9.00am - 7.00pm, Sunday/Public Holiday: 10.00am - 6.00pm
 ToyotaSingapore



Borneo Motors

TOYOTA WORLD
toyota.com.sg

33 Leng Kee Rd, Singapore 159102 | 17 Ubi Rd 4, Singapore 408611 | T 6631 1188
Monday - Friday: 9.00am - 6.00pm, Saturday: 9.00am - 7.00pm, Sunday/Public Holiday: 10.00am - 6.00pm
 ToyotaSingapore

INDULGE IN THE
EPITOME OF LUXURY.
THE ALPHARD.

LUXURY. MY WAY. THE ALPHARD.

LUXURIOUS INTERIOR

- Captain & Ottoman seats
- Full leather seats
- Capacitive touch air con control
- 16 colour ambient illumination
- 8-speaker acoustic environment
- Spacious cabin
- Seat heater and air-conditioning
- Full digital rear view mirror

OUTSTANDING CONVENIENCE

- One-motion power sliding doors
- Smart entry and start system
- Electronic parking brake
- Brake hold function

REMARKABLE PERFORMANCE

- New 2.5L engine with Start/Stop technology
- CVT transmission
- Newly developed rear suspension for maximum comfort
- Quiet and refined ride

360° PROTECTION

- 7 SRS airbags
- Anti-lock braking system (ABS)
- Vehicle stability control (VSC)
- Front and rear sensors
- Blind spot monitor (BSM)

CAPTIVATING EXTERIOR

Be in the limelight with Toyota's unmistakable face of luxury



FRONT LAMPS WITH SEQUENTIAL TURN SIGNALS
ENHANCED VISIBILITY

LEDs adopted for the clearance lamps, daytime headlamps, fog lamps and cornering lamps.



REAR COMBINATION LAMPS WITH SEQUENTIAL TURN SIGNALS
BOLD AND INTENSE

LEDs adopted for stop and tail lamps, reducing power consumption and contributing to fuel economy. Aero Stabilizing Fins on surface of outer lens ensure excellent handling stability.



SMART PRESET LOCK FUNCTION
INTUITIVE AND HASSLE-FREE

A touch sensor on the front door handle enables you to preset the door locks so that all doors lock once the power sliding door is closed fully.



POWER SLIDING DOOR WITH OBSTRUCTION DETECTION
STAY CONNECTED ON THE ROAD

A power sliding door system with obstruction detection has been adopted for both the driver and passenger sides.



LOWER REAR SEAT ACCESS STEP
EASE OF ACCESSIBILITY

A lower rear seat access step, wider rear door opening allows for easier entry. Long assist grips also available for occupants of all heights from children to adults.



POWER BACKDOOR
READY FOR EXTRA CARGO

For ultimate convenience, the power back door can be operated with a single touch.

PLUSH INTERIOR

A private sanctuary crafted with Toyota's finest materials



CAPTAIN & OTTOMAN SEATS FIRST CLASS COMFORT

Indulge in first class comfort with the spacious Captain and Ottoman seats.



AMBIENT LIGHTING ADDED LUXURY

LED ceiling colour illumination can change colour (up to 16 colours) to suit a variety of situations, for a truly bespoke setting.



TRI-ZONE AIR CONDITIONING WITH NANOE™ EQUAL COMFORT AND FRESHNESS

Tri-zone full-automatic air conditioning automatically controls the temperature of the front left, front right and rear areas independently.



TOYOTA TELEMATICS SYSTEM WITH NAVIGATION STAY CONNECTED ON THE ROAD

Toyota Telematics System evolves your ride into a smart one, keeping you seamlessly connected on the road.



VERSATILE SEATING CONFIGURATIONS ADAPTABLE TO ANY REQUIREMENT

Up to 10 different seating configurations are possible for maximum comfort.



TRUNK SPACE UNRIVALLED STORAGE SPACE

Even with third-row seats in use, up to six golf bags can be stowed in the luggage room and six items of hand luggage can be stowed in the recessed storage space.

EXTRAVAGANT INTERIOR

Modern luxuries wherever you may go



CAPTAIN & OTTOMAN SEATS FIRST CLASS COMFORT

Indulge in first class comfort with the spacious Captain and Ottoman seats.



AMBIENT LIGHTING ADDED LUXURY

LED ceiling colour illumination can change colour (up to 16 colours) to suit a variety of situations, for a truly bespoke feel.



TRI-ZONE AIR CONDITIONING WITH NANO E™ EQUAL COMFORT AND FRESHNESS

Tri-zone full-automatic air conditioning automatically controls the temperature of the front left, front right and rear areas independently.



TOYOTA TELEMATICS SYSTEM WITH NAVIGATION STAY CONNECTED ON THE ROAD

Toyota Telematics System evolves your ride into a smart one, keeping you seamlessly connected on the road.



VERSATILE SEATING CONFIGURATIONS ADAPTABLE TO ANY REQUIREMENT

Up to 10 different seating configurations are possible for maximum comfort.



TRUNK SPACE UNRIVALLED STORAGE SPACE

Even with third-row seats in use, up to six golf bags can be stowed in the luggage room and six items of hand luggage can be stowed in the recessed storage space.

Details and specifications may differ from pictures shown depending on models.

SEAMLESS PERFORMANCE

Toyota puts you in first class with uncompromised driving comfort



NEW 2.5L DUAL VVT-i ENGINE WITH START/STOP TECHNOLOGY

STELLAR FUEL EFFICIENCY

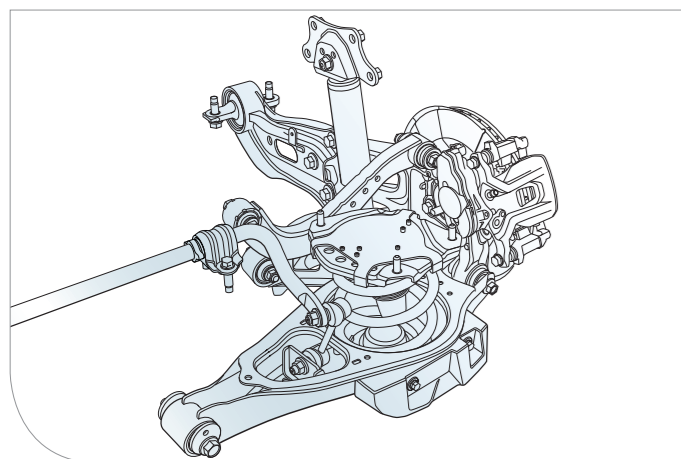
Achieve increased fuel efficiency and lowered emissions through optimised gearing, reduced friction and automatic transmission response.



CVT WITH 7-SPEED SPORT SEQUENTIAL SHIFTMATIC MODE

ULTIMATE PERFORMANCE

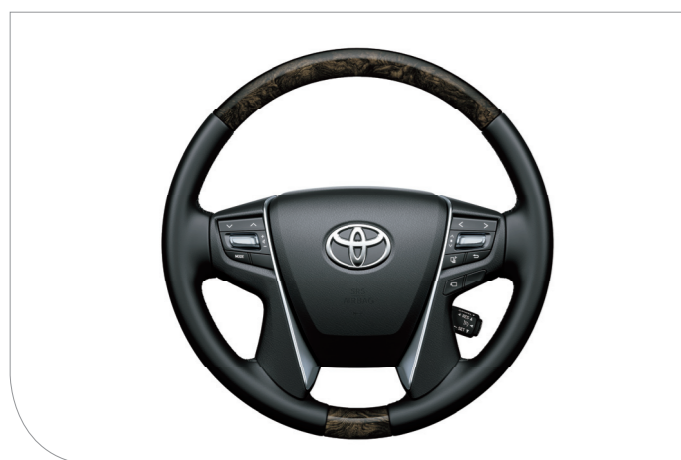
Highly efficient transaxle controlled in conjunction with the engine ensures better fuel efficiency and a quieter ride. 7-speed Sport Sequential Shiftmatic mode responds to aggressive shift operation when shift lever is in 'M' gear.



NEWLY DEVELOPED REAR SUSPENSION

REAR SEAT RIDE COMFORT

Newly developed rear suspension enhances the quietness and rear seat ride comfort, and achieves a constant AI (articulation index) level that's expected from a luxury passenger vehicle.



ELECTRONIC POWER STEERING (EPS)

INTELLIGENT TECHNOLOGY

EPS reduces steering operation effort and power consumption by using a high-efficiency motor and a reduction gear to increase the steering power transmitted to the steering rack.

SPECIFICATIONS

		Alphard Elegance	Vellfire Elegance
DIMENSIONS & WEIGHTS			
Overall Length	mm	4,945	4,935
Overall Width	mm	1,850	1,850
Overall Height	mm	1,895	1,895
Wheelbase	mm	3,000	3,000
Tread	Front	mm	1,575
	Rear	mm	1,600
Ground Clearance	mm	160	160
Turning Radius	m	5.8	5.8
Kerb Weight	kg	2,075	2,065
Gross Vehicle Weight	kg	2,600	2,590

ENGINE

Engine Type	4-cylinder, In line type, 16-Valve DOHC chain drive with Dual VVT-i		
Engine Transmission	CVT		
Capacity	cc	2,494	
Max. Power Output	kw (bhp) / rpm	134 (179) / 6000	
Max. Torque	Nm/rpm	235/4100	
Top Speed	km/h	170	
Acceleration (0-100km/h)	sec	11.3	

FUEL CONSUMPTION & CO₂ EMISSION

Fuel Consumption (Combined)	km/litre (litre/100km)	11.6 (8.6)
CO ₂ Emission	g/km	200
Fuel Tank Capacity	litres	75
VES Branding		C2

CHASSIS

Suspension	Front	MacPherson Strut
	Rear	Double wishbone
Brakes	Front	Ventilated Disc
	Rear	Ventilated Disc
Tyre Size		235 / 50R18

Addition of extra features may change figures in this chart.

Toyota Motor Corporation and Borneo Motors (Singapore) Pte Ltd reserve the right to alter any details of specifications and equipment without notice.

Note:

Vehicles pictured and specifications detailed in this catalogue may vary from models and equipment available in your area.

Actual interior features and colours may differ from pictures shown. Vehicle body colour might differ slightly from the printed photos in this catalogue.

EXTERIOR COLOURS (ALPHARD)



White Pearl CS (070)



Luxury White Pearl CS (086)



Steel Blonde Metallic (4X1)



Black (202)

PREMIUM LUXURY FEATURES

	Alphard Elegance	Vellfire Elegance
EXTERIOR		
Anti-Theft System	•	•
Auto Headlamps	•	•
Auto Fold Wing Mirrors	•	•
Smart Entry	•	•
LED Headlamps + Sequential Turn Signals	•	•
LED Taillamps + Sequential Turn Signals	•	•
LED Daytime Running Light	•	•
LED Cornering Lamps	•	•
Power Back Door	•	•
Fog Lamps	LED	LED

INTERIOR

Trim Colour	Flaxen Power	Black Power
Captain & Ottoman Seats	•	•
Capacitive Touch Air Con Control	•	•
Electronic Parking Brake	•	•
Leather Seats	•	•
Smart Start	•	•
Cruise Control	•	•
Full Digital Rear View Mirror	•	•
Power Driver and Passenger Seats	•	•
Moonroof	•	•
NanoE Air Conditioning	•	•
Rain Sensing Wipers	•	•
Wireless Charging	•	•

TOYOTA INTOUCH

Touch Screen DVD/CD/USB/i-Pod/Bluetooth	•	•
GPS Navigation System	•	•
Bluetooth/USB/HDMI/DLNA/Miracast Connectivity	•	•
Air Gesture	•	•

COMPREHENSIVE PROTECTION

7 SRS Airbags	D+P+Side+Curtain+D Knee	D+P+Side+Curtain+D Knee
3-Point Emergency Locking Retractor Seatbelts	•	•
Front and Rear Clearance Sensors	•	•
Vehicle Stability Control (VSC)	•	•
Traction Control	•	•
Anti-lock Brake System (ABS)	•	•
Brake Assist	•	•
Electronic Brakeforce Distribution (EBD)	•	•
Hill-Start Assist Control (HAC)	•	•
ISO-Fix Child Restraint System	•	•
Blind Spot Monitor (BSM)	•	•

EXTERIOR COLOURS (VELLFIRE)



White Pearl CS (070)



Steel Blonde Metallic (4X1)



Black (202)



Burning Black. CS. GF. (222)

MAXIMUM PROTECTION

Because your safety is our priority



7 SRS AIRBAGS

360° PROTECTION

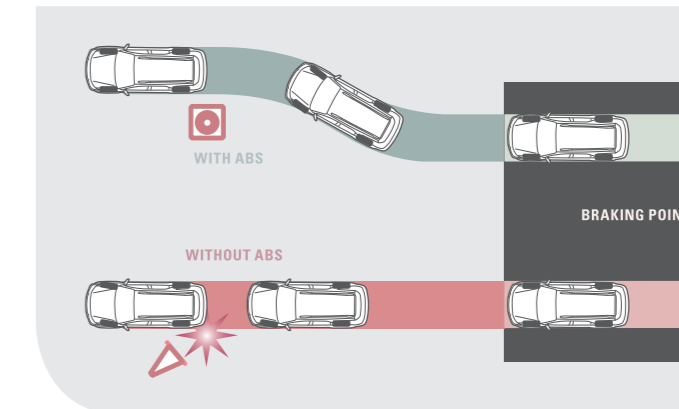
Dual front, driver's knee and curtain shield airbags provide 360° protection for you and your family.



LANE CHANGE ASSIST WITH BLIND SPOT MONITOR

DETECTS POTENTIAL HAZARDS

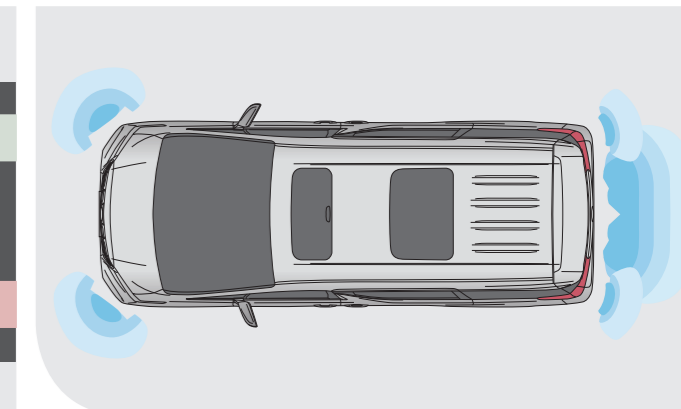
Gives additional support when lane changing by providing urgent warning signals when a potential hazard is detected. Lane change with complete peace of mind.



ELECTRONIC BRAKE FORCE DISTRIBUTION

OUTSTANDING BRAKE PERFORMANCE

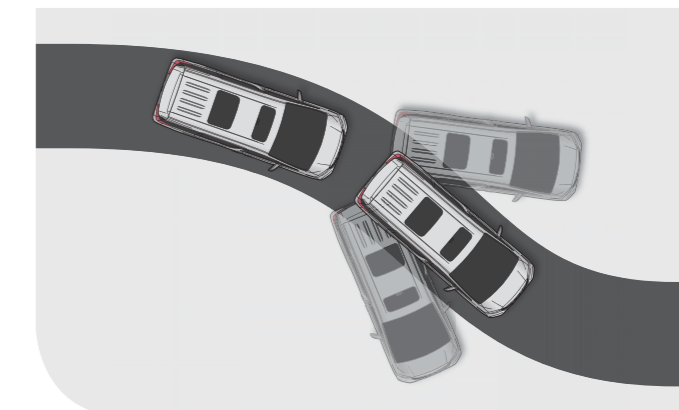
The EBD System utilises the ABS hydraulic system to optimally distribute braking force to each wheel according to various driving conditions.



FRONT AND REAR SENSORS

SUPPORT WHERE YOU NEED IT

Front and rear sensors help the driver avoid obstacles when maneuvering the vehicle in tight areas and/or parking situations.



STEERING-ASSISTED VEHICLE STABILITY CONTROL (S-VSC)

CONTROL WHERE YOU NEED IT

S-VSC integrates ABS, TRC, VSC, and EPS functions and ensures excellent driving while enabling stable vehicle behavior and smooth acceleration, regardless of road conditions.



FULL DIGITAL REAR VIEW MIRROR

ULTIMATE AWARENESS AT NIGHT

Full display mirror function for a complete clear view of the rear, ensuring all blind spots are fully reflected. Auto anti-glare function provides additional comfort so you can drive in low lit environments with complete ease.

COMMANDING EXTERIOR

The alternative look of dominance



FRONT LAMPS WITH SEQUENTIAL TURN SIGNALS

ENHANCED VISIBILITY

LEDs adopted for the clearance lamps, daytime headlamps, fog lamps and cornering lamps.



REAR COMBINATION LAMPS WITH SEQUENTIAL TURN SIGNALS

BOLD AND INTENSE

LEDs adopted for stop and tail lamps, reducing power consumption and contributing to fuel economy. Aero Stabilizing Fins on surface of outer lens ensure excellent handling stability.



SMART PRESET LOCK FUNCTION

INTUITIVE AND HASSLE-FREE

A touch sensor on the front door handle enables you to preset the door locks so that all doors lock once the power sliding door is closed fully.



POWER SLIDING DOOR WITH OBSTRUCTION DETECTION

EFFORTLESS BOARDING

A power sliding door system with obstruction detection has been adopted for both the driver and passenger sides.



LOWER REAR SEAT ACCESS STEP

EASE OF ACCESSIBILITY

A lower rear seat access step, wider rear door opening allows for easier entry. Long assist grips also available for occupants of all heights from children to adults.



POWER BACKDOOR

READY FOR EXTRA CARGO

The power back door can be operated with a single touch so you can load and unload with ease.

LUXURY WITH AN EDGE. THE VELLFIRE.

LUXURIOUS INTERIOR

- Captain & Ottoman seats
- Full leather seats
- Capacitive touch air con control
- 16 colour ambient illumination
- 8-speaker acoustic environment
- Spacious cabin
- Seat heater and air-conditioning
- Full digital rear view mirror

OUTSTANDING CONVENIENCE

- One-motion power sliding doors
- Smart entry and start system
- Electronic parking brake
- Brake hold function

REMARKABLE PERFORMANCE

- New 2.5L engine with Start/Stop technology
- CVT transmission
- Newly developed rear suspension for maximum comfort
- Quiet and refined ride

360° PROTECTION

- 7 SRS airbags
- Anti-lock braking system (ABS)
- Vehicle stability control (VSC)
- Front and rear sensors
- Blind spot monitor (BSM)

FOR THE BOLD,
THE DARING AND
THE REFINED.

THE VELLFIRE.
